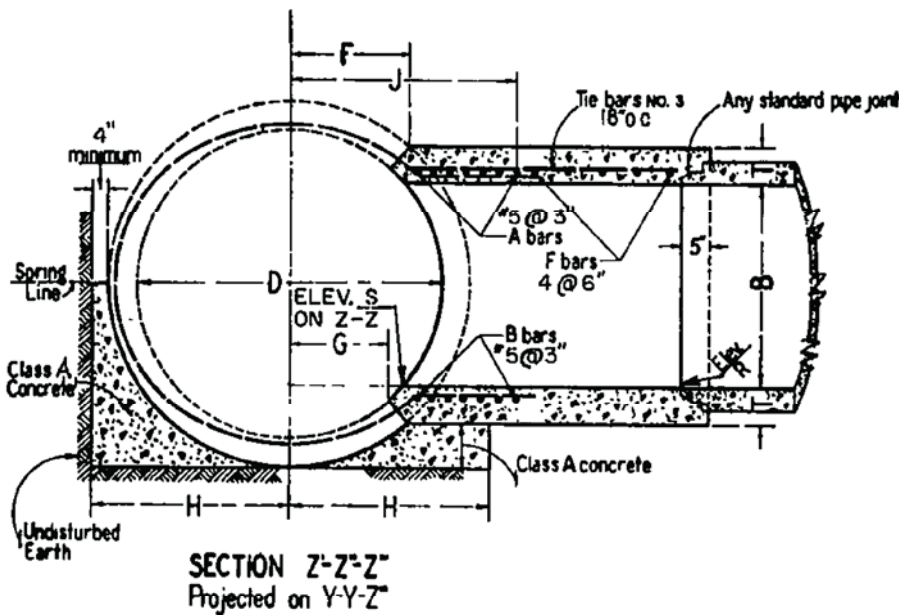


B	T
12"	4"
15"	4 1/2"
18"	4 1/2"
21"	5"
24"	5 1/2"
27"	5 1/2"
30"	6"
33"	6 1/2"
36"	6 1/2"
39"	7"



CITY OF RIV. STD. NO. 421  
L.A.C.F.C.D. STD. NO. 2-D112



RIVERSIDE COUNTY FLOOD CONTROL AND WATER CONSERVATION DISTRICT  
APPROVED BY: *Warren D. Williams*  
CHIEF ENGINEER  
DATE: April 5, 2004 R.C.E. NO. 32336

JUNCTION STRUCTURE NO. 2  
STANDARD DRAWING NUMBER JS227  
SHEET 1 OF 2